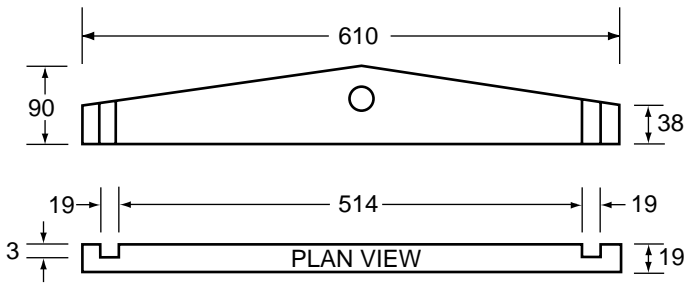


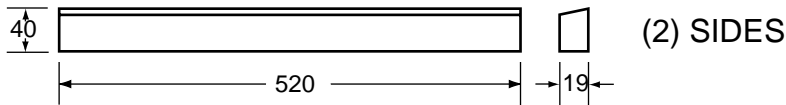
10-FRAME W.B.C. BEE HIVE

(DOUBLE WALLED HIVE)

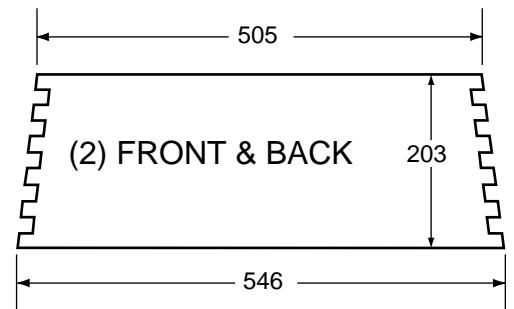
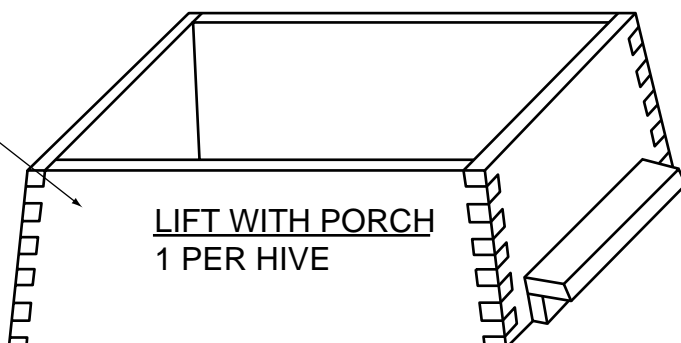
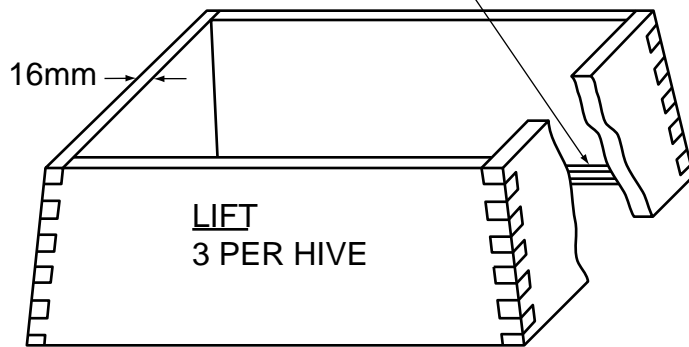
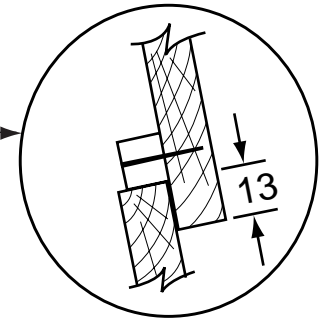
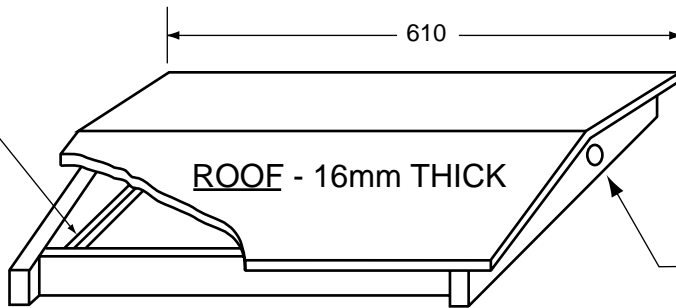
EXTERNAL



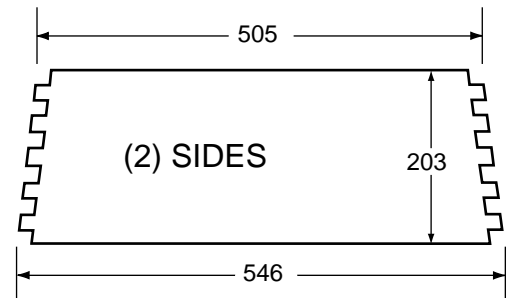
(2) FRONT & BACK



FIX 16x16 BEADING TO INSIDE OF FRAME
13mm UP FROM BOTTOM ON ALL SIDES



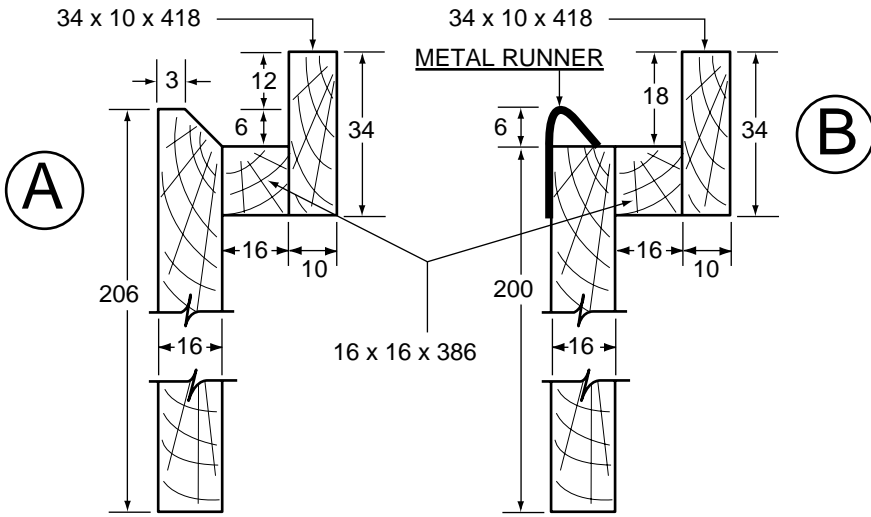
ALL MEASUREMENTS FROM TOP EDGE



10-FRAME W.B.C. BEE HIVE

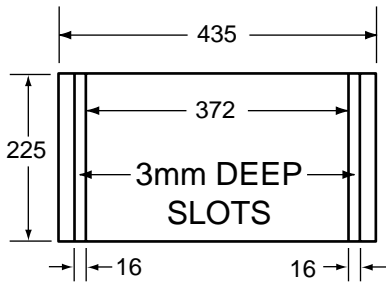
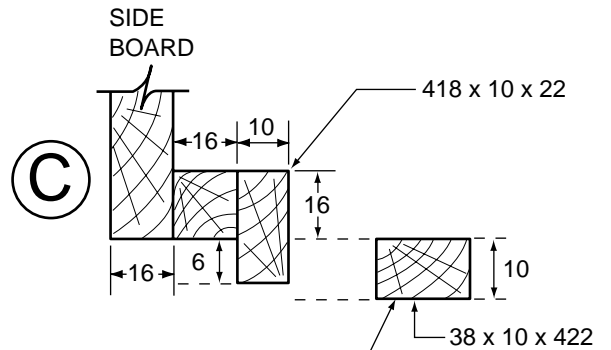
(DOUBLE WALLED HIVE)

TOP SECTION

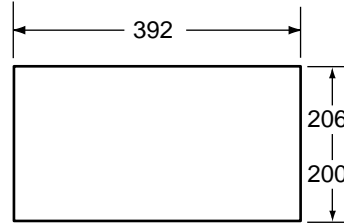


INTERNAL

BOTTOM SECTION



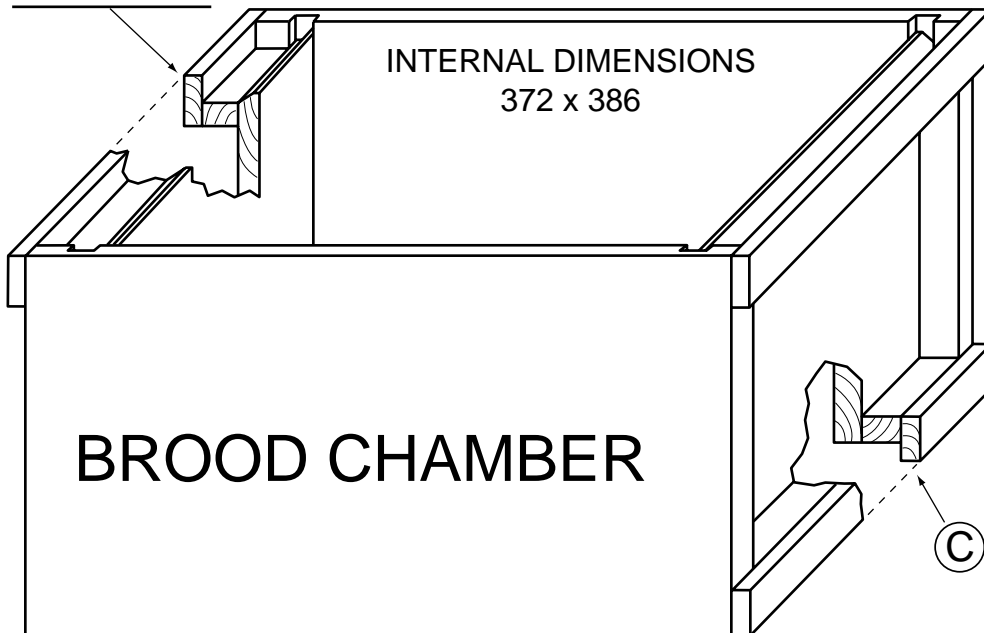
END BOARDS



SIDE BOARDS

TUNNEL STRIP BLOCK.
PROVIDES ACCESS FROM
ENTRANCE IN BOTTOM LEFT
TO BROOD CHAMBER WHILE
BLOCKING ACCESS TO
CAVITY BETWEEN BOXES.

(A) OR (B)



SUPER DIMENSIONS ARE
THE SAME AS BROOD
CHAMBER EXCEPT ONLY
150 DEEP.

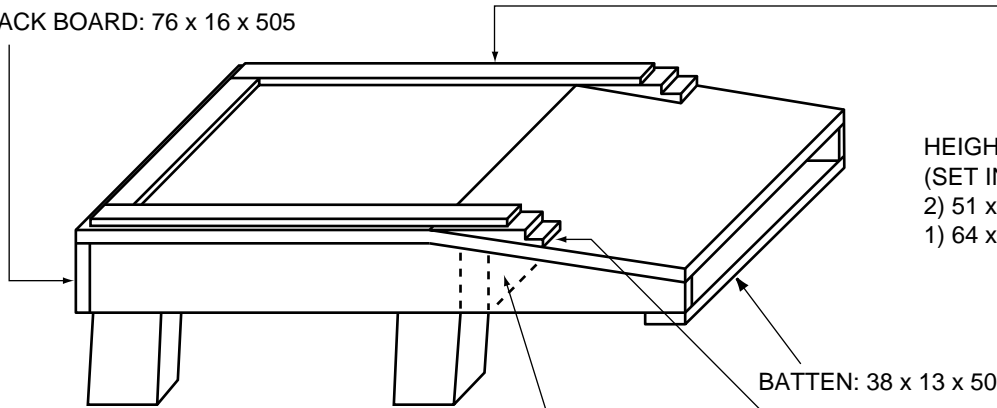
(SIDE BOARDS ARE:
132 (A) OR 126 (B))

10-FRAME W.B.C. BEE HIVE

(DOUBLE WALLED HIVE)

FLOOR

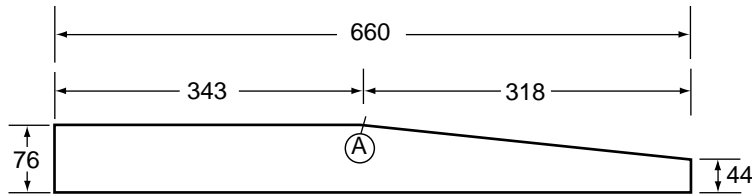
1) BACK BOARD: 76 x 16 x 505



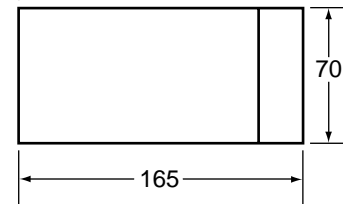
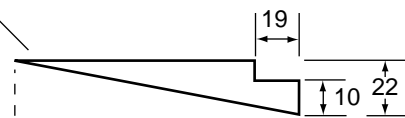
HEIGHT STRIPS:
(SET IN 18mm FROM EDGES)
2) 51 x 10 x 470
1) 64 x 10 x 368

BATTEN: 38 x 13 x 505

1) LEG BRACE: 57 x 16 x 460

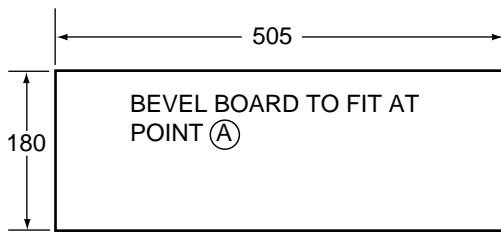


(2) SIDES

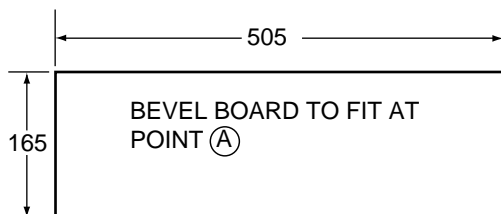


(2) WEDGE PIECES

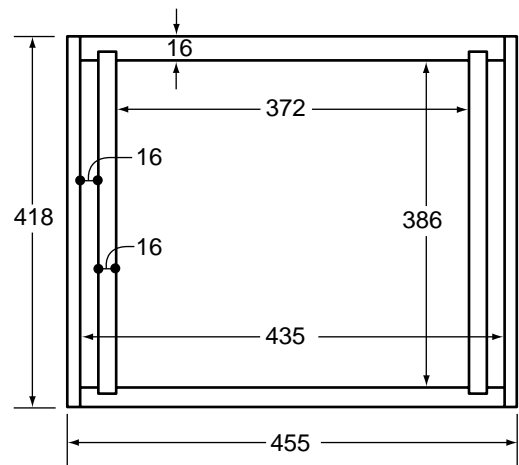
⚠️ POSITION BY PLACING
LIFT ON FLOOR BOARD.



(2) TOP BOARD



(2) ALIGHTING BOARD

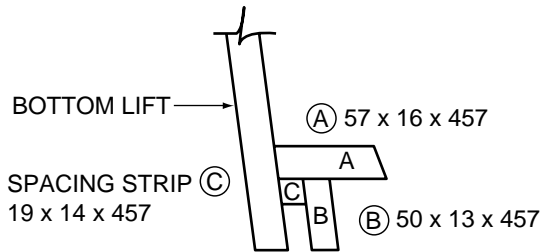


PLAN OF BROOD CHAMBER

10-FRAME W.B.C. BEE HIVE

(DOUBLE WALLED HIVE)

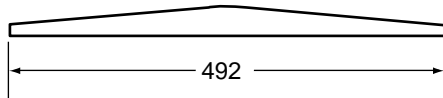
PORCH



(A) (B) (C) TO TAPER TO FIT SLOPE OF LIFT

ATTACH PORCH 3mm UP FROM
BOTTOM OF LIFT.

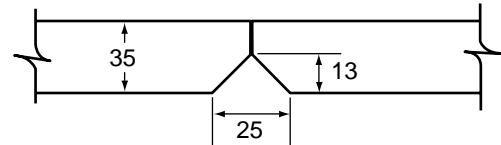
SLIGHTLY TAPER TOP BAR TO SHED WATER



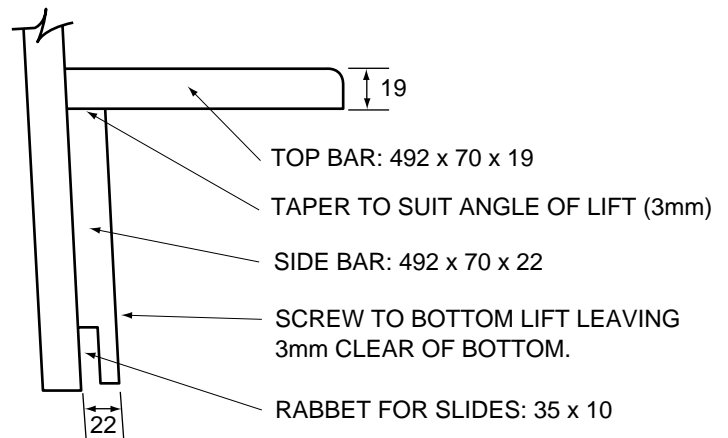
ENTRANCE SLIDES

2) 35 X 11 X 280

SLIDES TOGETHER TO FORM SMALL ENTRANCE

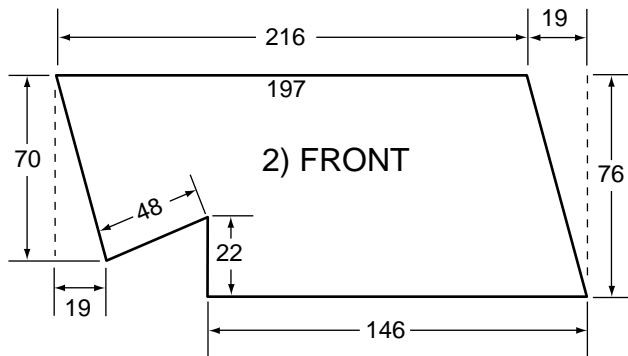


ALTERNATIVE PORCH



LEGS

LEGS CONSTRUCTED FROM
76 x 51 TIMBER.



RABBETS TO SIDES OF HIVES.
FRONT & BACK ATTACH INSIDE
OF SIDE BEAMS. USE SCREWS.

